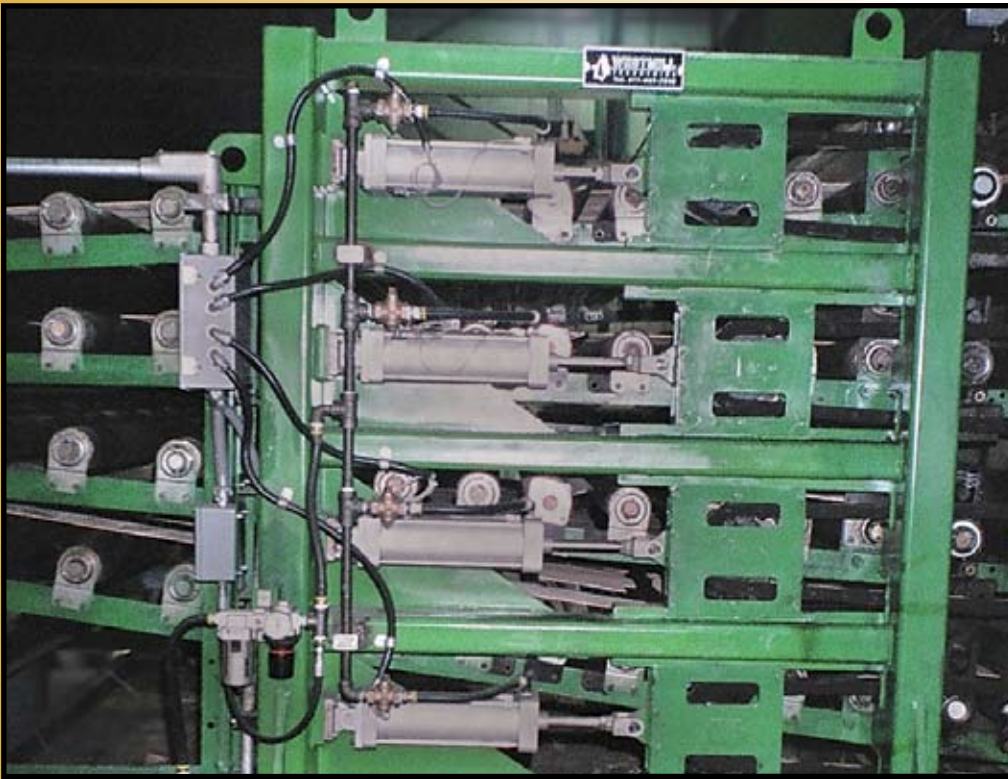


VENEER DRYER PNEUMATIC CHAIN TENSIONER

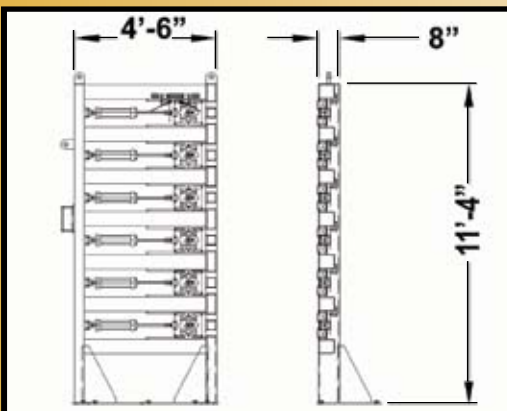


Westmill's Veneer Dryer Pneumatic Chain Tensioner provides constant tensioning.

Westmill's Veneer Dryer Pneumatic Chain Tensioner keeps your Dryer chains tight and prevents binding. Constant tensioning, along with automatic detection of chain break and jam-up, make our Chain Tensioner a smart solution.

Westmill's supply includes:

- Heavy-duty steel frame
- Individual slide-mounted, pneumatic cylinder actuated, chain take-up roller shuttles. Bearing mounted, steel 81-X idler sprockets with regreasable pins.
- Two limit switches OR non-contact, magnetic proximity switches (mounted to each end of the air cylinder tie-rods) per level. Detects chain break (fast cylinder retraction) or chain bind (quick cylinder extension).
- Programming for Dryer will go into "automatic shut-down" mode if any Dryer chain breaks or jams.
- All pneumatic hoses, fittings and headers, including Filter/Regulator, gauge, and pneumatic lock out



All electrical devices pre-wired to junction box



Chain take-up roller shuttles