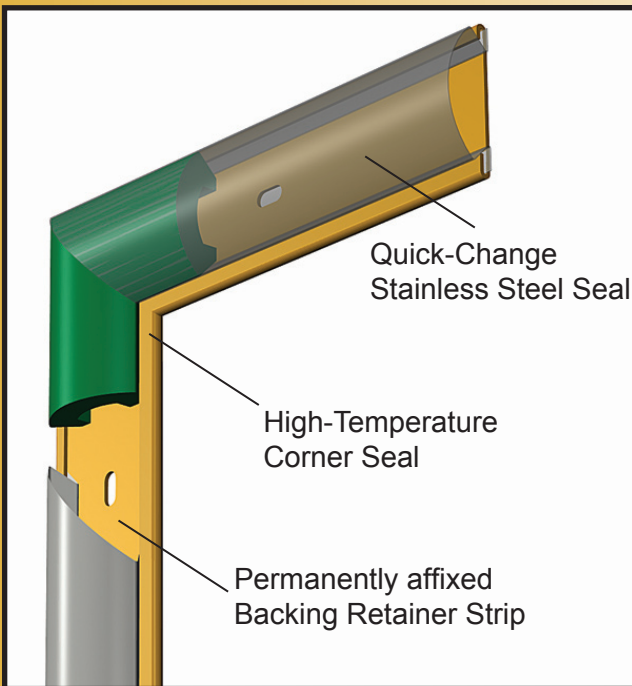


# QUICK-CHANGE DRYER DOOR SEAL "SYSTEM 1-2-3™"



Westmill's new Quick-Change Dryer Door Seal **System 1-2-3™**

## **System 1-2-3™: A superior and cost-effective solution**

**First time installation:**  
Same as Tadpole Seals

**Future seal replacement:**  
Half the cost of Tadpole Seals

Westmill's new Quick-Change Dryer Door Seal **System 1-2-3™** is a cost-effective solution to seal up your Dryer. Performance exceeds standard fabric Tadpole Seals, and changing a Dryer door's seal now takes under five minutes – not hours!

Westmill's new Quick-Change Dryer Door Seal **System 1-2-3™** incorporates a Stainless Steel "D" profile seal (gray in picture) that quickly and easily attaches to a permanent "Backing Retainer Strip" (orange in picture) that is plug-welded to your Dryer door frames.

Our new Quick-Change Seal **System 1-2-3™** provides a very efficient and long-lasting solution designed to easily retrofit into existing Dryer applications. It also works extremely well with the increased door seal closing pressure developed when using Westmill's Patented Articulating Door Hardware.

**Installation of System 1-2-3™ could not be any simpler.**

Unlike standard fabric Tadpole Seals, this new stainless seal can withstand direct exposure to small nuisance fires and is easily replaced in under five minutes, rather than 2 man-hours typical of Tadpole Seal replacement.

Also supplied with Westmill's Quick-Change Seal **System 1-2-3™** is our high-temperature Silicone 90-degree Corner Seal. This corner seal provides a leak-free corner joint and a perfect fit of the stainless steel seals in an imperfect environment.

The seal and retainer are both sold in 12' lengths, and 'cut to length' and 'pre-mitered' orders are welcome. Installation of this entire system is as easy as 1-2-3!



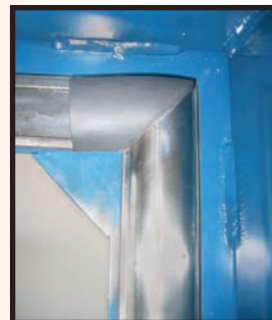
Plug-weld mild steel Backing Retainer Strips to existing Dryer door frame



Apply red silicone to Retainer Strips to prevent leakage



Insert Stainless Steel Door Seals



Install Corner Seals



Finished **System 1-2-3™**